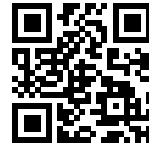


## Sink S3000

Bowl on the right

Kitchen Sinks

Code: 1312 061



### DETAILS

Edge/Installation Type      Standard (8 mm Edge)

---

Material      AISI 304 stainless steel

---

Texture      Foster brushed

---

Base      90 cm

---

Dimensions      1160 x 500 mm

---

Standard fittings      Fixing hooks, gasket, drain, overflow and siphon, boxed packing

---

Mixer holes      1 standard hole

---

Built-in hole      1140 x 480 mm

---

Drainer      Yes

---

Width 116 cm

---

Bowl dimension 400x400 + 340x400mm

---

Number of bowls 2 bowls

---

Waste fitting 3,5" drain

---

## FEATURES

**Basket 3,5" waste fitting** The drain is equipped with a large 3.5" drain, with the practical basket cap that prevents the discharge of solid parts.

---

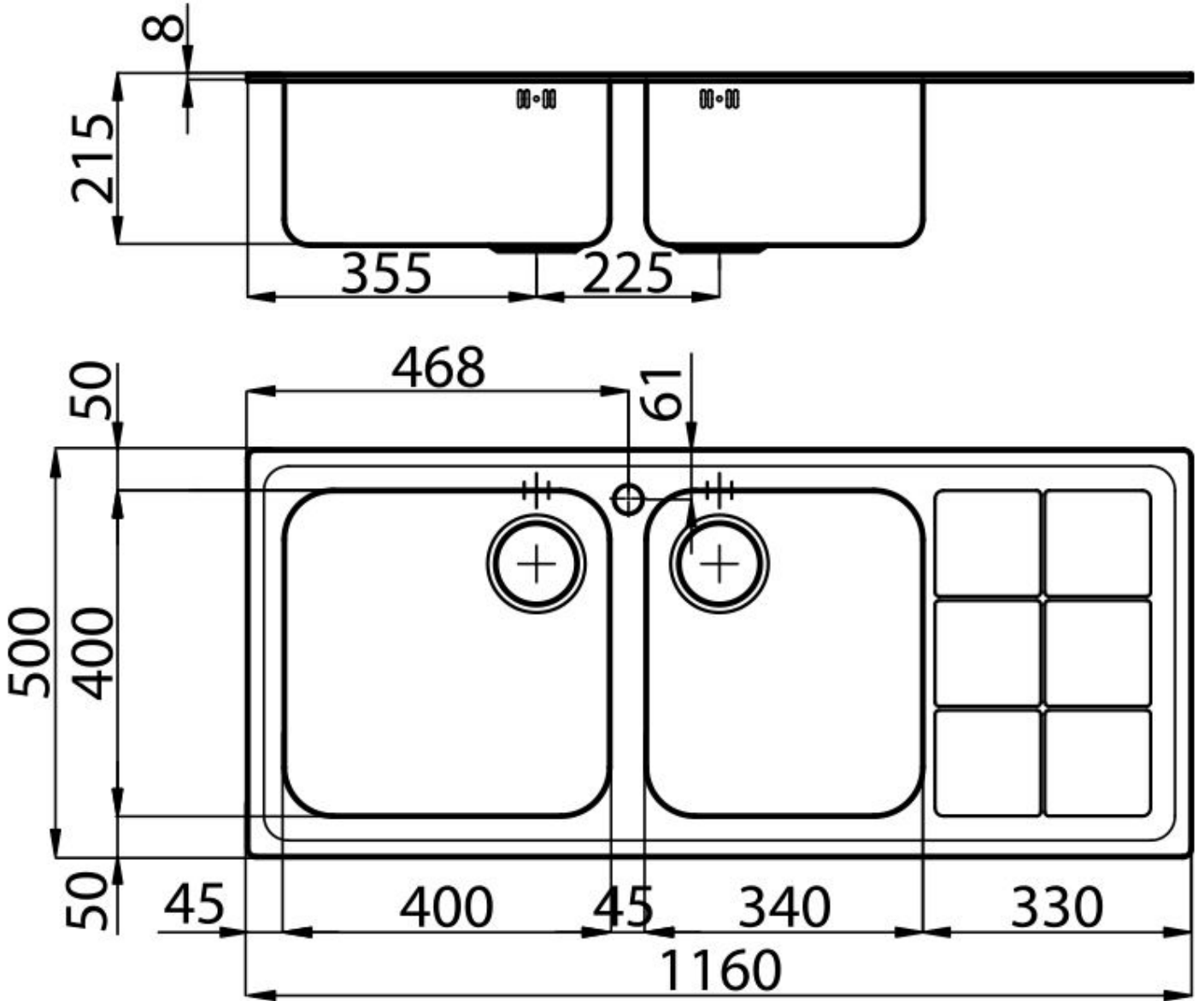
**Deep bowls** This bowls reach an important depth, over 20 cm, thanks to the advanced production technology, that can be offer great capieny and practicity in all the washing operations.

---

**Sliding brackets**

---

## TECHNICAL DATA



## GALLERY



## OPTIONAL ACCESSORIES



**Cestello inox**  
8612 000



**Glass chopping board**  
8633 300



**Glass chopping board**  
8631 300



**HPDE Chopping board**  
8657 001



**HPDE Twin chopping board**  
8644 101



**Iroko-wood chopping board**  
8646 000



**Stainless steel basket**  
8611 000



**Stainless steel plate rack**  
8100 303  
\* only in combination with the accessory  
8644 101



**White bowl**  
8153 100